

## BOND

BKM47P

Bond Solo Series One Hole Gooseneck Bar Faucet with Two-Piece Straight Lever Handle



SHOWN IN BOND SOLO SERIES ONE HOLE GOOSENECK BAR FAUCET WITH TWO-PIECE STRAIGHT LEVER HANDLE | BKM47P

### TECHNICAL DETAILS

ADA Compliance: Yes  
Deck Thickness Maximum: 1 1/2"  
Deck Thickness Minimum: 1/4"  
Fittings Hole Diameter: 1 3/8"  
Handle Turn Angle: Quarter Turn  
Inlet Connection Size: 3/8"  
Inlet Connection Type: Compression Connection Hoses  
Restricted Maximum Flow Rate: 1.75 gpm  
Spout Swivel: Y  
Valve Material: Ceramic  
Water Pressure Maximum: 85.0 psi  
Water Pressure Minimum: 25.0 psi  
Water Pressure Recommended: 45.0 psi

### INSPIRATION

Modern designs infused with rare soul and artistry. Explore our wide range of Bond bath and kitchen elements, from fittings to fixtures to hardware.

### CODES & STANDARDS

NSF/ANSI/CAN 61:Q < 1, ASME A112.18.1/CSA B125.1, CEC, State of MA

### PRODUCT FEATURES

Lever Handle

Handle rotates toward the front to prevent contact with backsplash

Features Two-Piece Straight Lever Handle

Stocked in Chrome, Nickel, Brass and Dark Nickel

Available in 1.2gpm (4.5L/min) flow rate

### CERTIFICATIONS



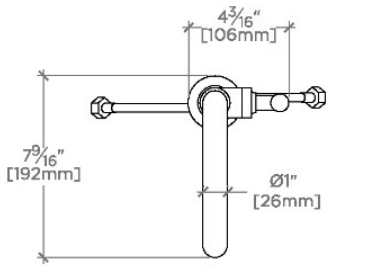
### PRODUCT (NOTES)

# WATERWORKS

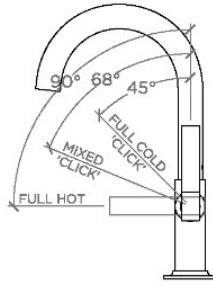
## BOND

## BKM47P

Bond Solo Series One Hole Gooseneck Bar Faucet with Two-Piece Straight Lever Handle

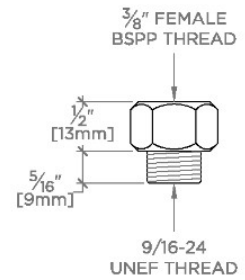
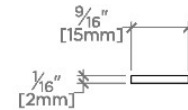


TOP VIEW SCALE: 1/2"=1'-0"

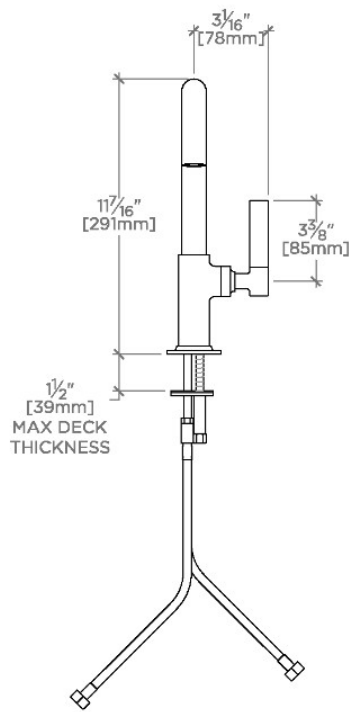


HANDLE OPERATION SCALE: 1/2"=1'-0"

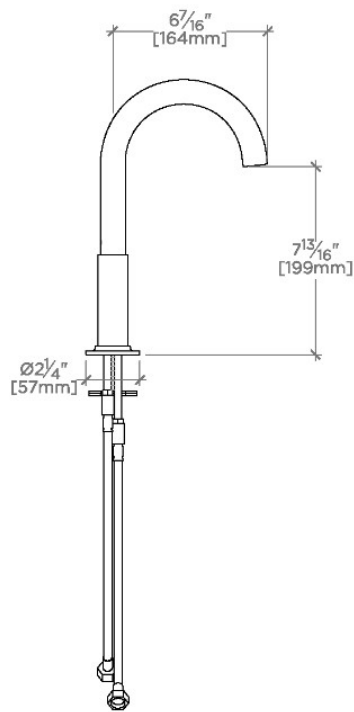
NOTE:  
ADAPTER AND GASKET (x2)  
INCLUDED - INTERNATIONAL  
USE ONLY



NOT TO SCALE



FRONT VIEW SCALE: 1/2"=1'-0"



SIDE VIEW SCALE: 1/2"=1'-0"