

# WATERWORKS

## REGULATOR

RGKM01

Regulator One Hole Gooseneck Bar Faucet, Black Wheel Handle



SHOWN IN REGULATOR ONE HOLE GOOSENECK BAR FAUCET, BLACK WHEEL HANDLE| RGKM01

### TECHNICAL DETAILS

Deck Thickness Maximum: 2 1/16"  
Deck Thickness Minimum: 1/4"  
Fittings Hole Diameter: 1 3/4"  
Handle Turn Angle: Quarter Turn  
Depth / Width: 10 9/16"  
Height: 12 1/2"  
Inlet Connection Size: 3/8"  
Inlet Connection Type: Compression Connection Hoses  
Integrated Diverter: N  
Integrated Spray: N  
Length: 4 13/16"  
Spout Swivel: Y  
Spray Included in Unit: N  
Water Pressure Maximum: 85.0 psi  
Water Pressure Minimum: 20.0 psi  
Water Pressure Recommended: 45.0 psi

### INSPIRATION

A play on industrial controls from the early 1900s, when pride was lavished on parts. Translated to handcrafted, fittings project rugged beauty through powerful, detailed shapes.

### CODES & STANDARDS

Code # RGKM01: CEC

### PRODUCT FEATURES

**Progressive Control.** When the wheel handle is rotated the flow of cold water begins; continue rotating activates the mixing by adding hot water; at the end of the rotation, only hot water flows. Full rotation is a quarter turn  
**8" Gooseneck Swivel Spout**

Standard flow rate is 2.2gpm (8.3 L/min) and State of California requires a maximum of 1.8gpm(6.8 L/min). Also available in high efficiency flow options. Contact a sales associate for details.

# WATERWORKS

## REGULATOR

RGKM01

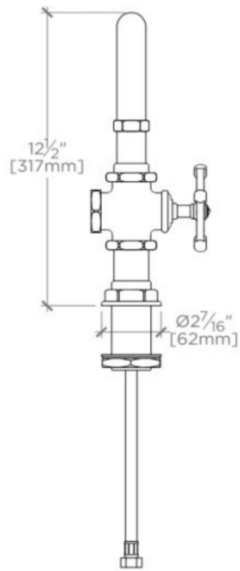
Regulator One Hole Gooseneck Bar Faucet, Black Wheel Handle



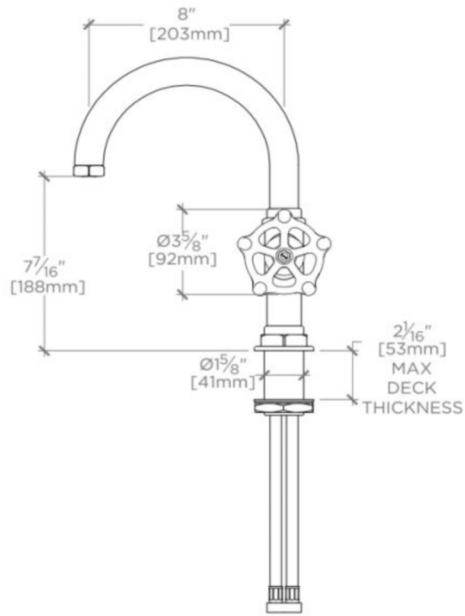
TOP VIEW SCALE: 1 1/2"=1'-0"



ISO VIEW SCALE: 1 1/2"=1'-0"



FRONT VIEW SCALE: 1 1/2"=1'-0"



SIDE VIEW SCALE: 1 1/2"=1'-0"